

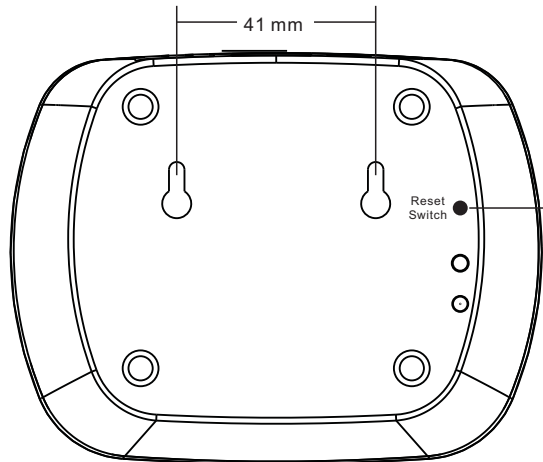
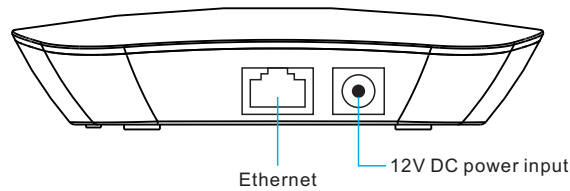
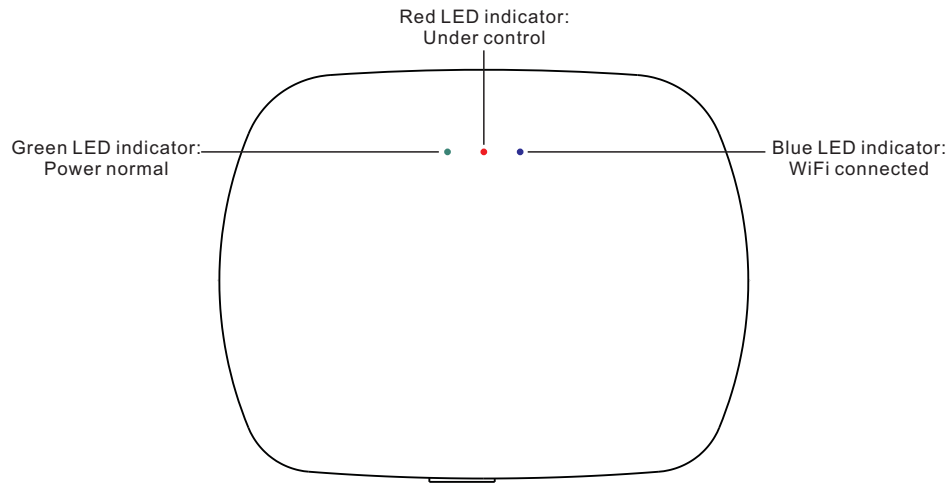
WiFi Converter

09.288WN.04158



Important: Read All Instructions Prior to Installation

Function introduction



WiFi Reset switch: press and hold down for 10S then release, the blue WiFi indicator will go off and go on again, WiFi setting will be factory reset.

Note: When the hub is configured to home router, use the button to reset WiFi setting to enable to control directly through the hub network again.

Product Data

Output	RF signal
Operation Frequency	2.4G
Power Supply	12VDC
Operating temperature	0-40°C
Relative humidity	8% to 80%
Dimensions	110x85x24.2mm

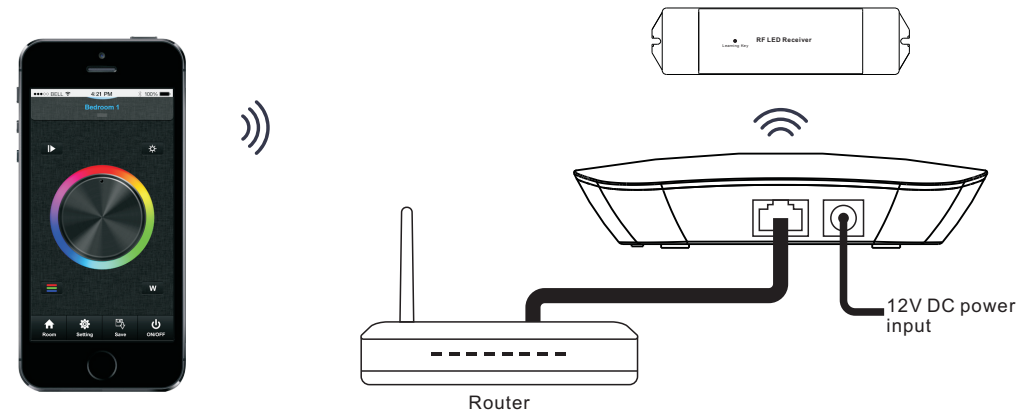
- The convertor works with RF receiver series to be controlled by IOS or Android system via WIFI.
- Waterproof grade: IP20

Safety & Warnings

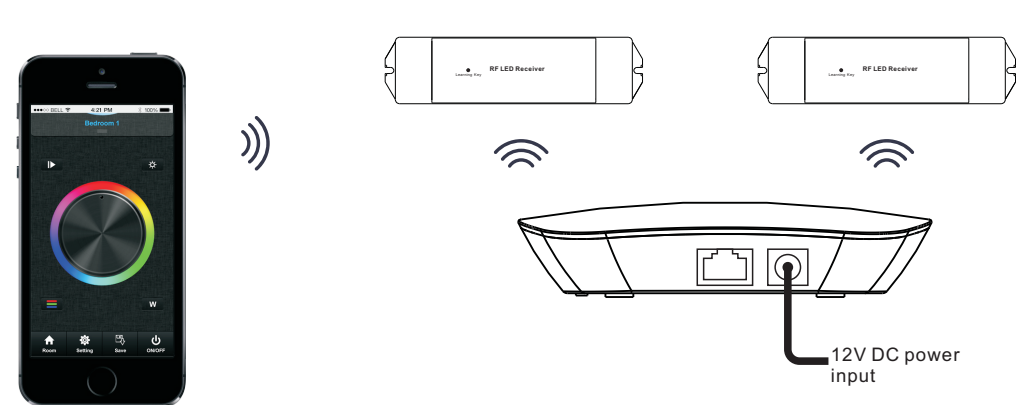
- DO NOT install with power applied to device.
- DO NOT expose the device to moisture.

Wiring diagram

Method 1: Connect your cell phone with your home net router(WiFi-RF)



Method 2: Connect your cell phone with the converter(WiFi -RF)



Operation

1. This WiFi-RF converter can be controlled by both “Easylighting” and “Easyhome” apps, please choose either of them to control.

2. For “Easylighting” app, download application from ‘app store’ or ‘google play’ by searching ‘easylighting’ or scanning following QR codes.



Andriod



IOS

3. For “Easyhome” app, download application from ‘app store’ or ‘google play’ by searching ‘Easy Home - Smart Home’.

4. If the converter has connected with router, then connect your cell phone to your router network. If the converter did not connect with router, then connect your cell phone to the converter network directly. (Password:0123456789)

5. Open the easylighting/easyhome application and operate according the application manual.