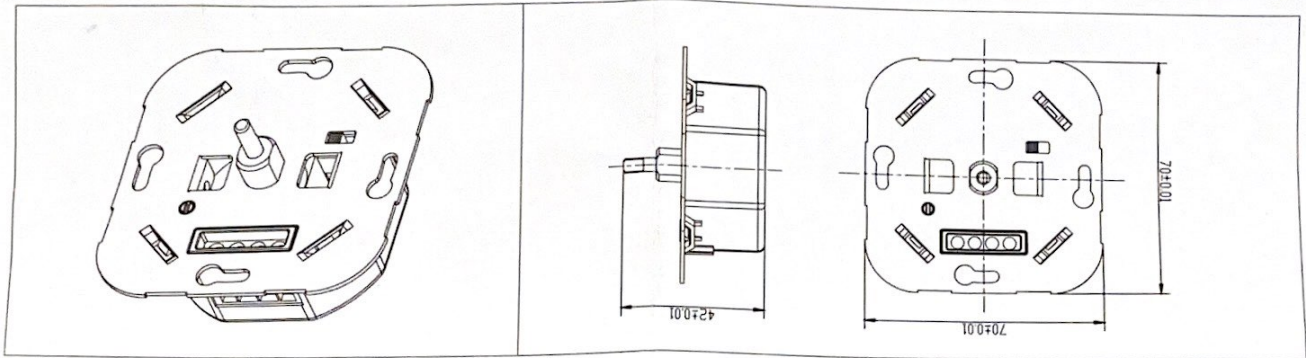




## LED DIMMER SWITCH



Item Description:  
Universal LED DIMMER SWITCH 300W

### **⚠️ ⚠️ DANGER**

#### HAZARD OF ELECTRIC SHOCK, EXPLOSION OR ARC FLASH

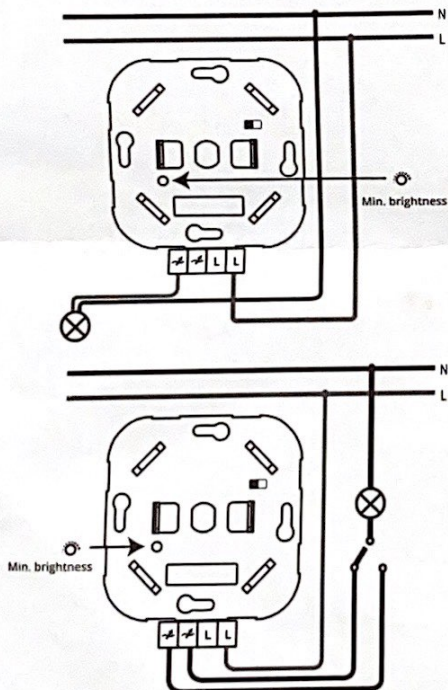
- Turn off all power supplying this equipment
- Use a voltage tester of appropriate rating.

Failure to follow these instructions will result in death or serious injury.

### **⚠️ WARNING**

#### HAZARD OF FIRE

Failure to follow these instructions can result in death, serious injury, or equipment damage.



#### PLEASE NOTE:

1. This is a two-wire dimmer and service to be connected as shown in the diagram above
2. You can not connect more than one dimmer in parallel to operate the same charge from two points

### LED DIMMER SWITCH: 5-300VA/W

Operating Voltage	220-240 V
Frequency	50 Hz
Maximum Load	300 W
Minimum Load	5 W
Dimming Mode	Leading & Trailing Edge
Control Method	Two way
Dimmable LED lamps(R,C)	
LV Halogen lighting with electronic transformers(R,C)	5-300W
Dimmable LED lamps(R,L)	
LV Halogen lighting with electronic transformers(R,L)	5-150W
Incandescent lighting	10-300W

### Features

1. Suitable for both retrofit and new installations.
2. No neutral required.
3. Soft-start to protect lamp and driver.
4. Overload, over-temperature and over-current protection.
5. Suitable for leading and trailing edge